

# Switching Power Supply Redundant Module Type SPM2RM2410 DIN rail mounting



BD Trafo AG

BD Trafo AG  
Rothli-Park 7  
CH-6274 Eschenbach LU  
www.bd-trafo.ch

CARLO GAVAZZI



- Installation on DIN Rail 7.5 or 15mm
- Low profile installation
- Up to 240W output
- Unlimited number of connectable redundant power supplies
- Very compact dimensions
- UL, cUL listed
- TUV approved
- Ce and RoHS compliant

## Product Description

This SPD additional module allows the connection of 1 power supply +1 or more additional redundant power supplies. In this case, the

continuity of the 24VDC output is always guaranteed, even in case of failure of one power supply.

## Ordering Key

**SP M 2 RM 24 10**

Model \_\_\_\_\_  
Enclosure (M = Modular DIN type) \_\_\_\_\_  
Number of DIN modules \_\_\_\_\_  
Redundant module \_\_\_\_\_  
Output voltage \_\_\_\_\_  
Maximum output current (A) \_\_\_\_\_

## Approvals



## Output Data

Output voltage drop	0.5V
Output maximum Current	10A
Max Reverse Voltage	30V

## Input Data

Rated input Voltage	21...28VDC
Number of inputs	2
Maximum input current	10A

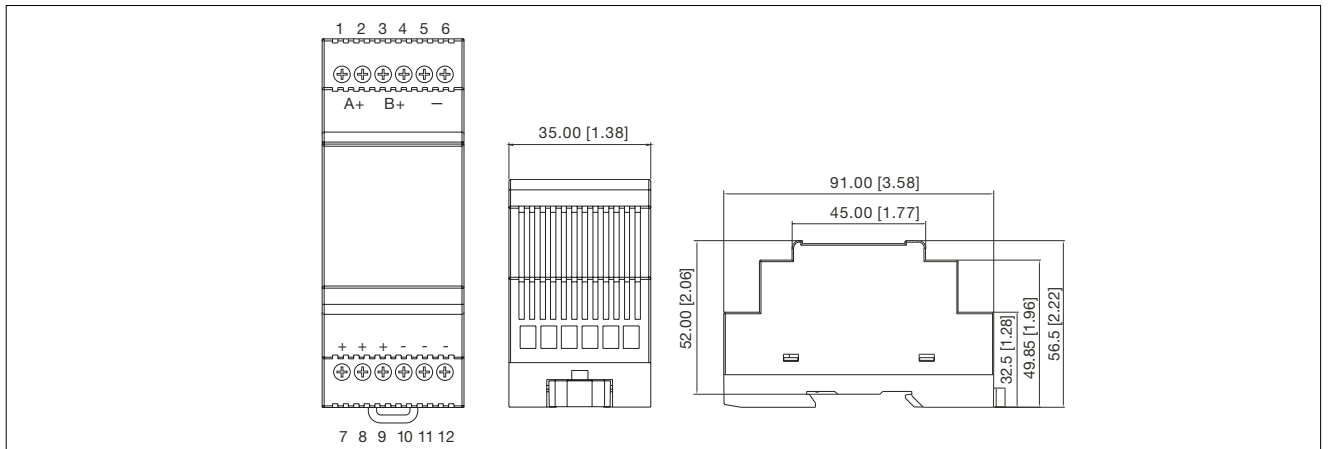
## General Data

Operating temperature	-25°C...+71°C
Storage temperature	-25°C...+85°C
Relative Humidity	20...95%RH
MTBF (Bellcore issue 6 @ 40°C, GB)	9.697.000h
Case material	Plastic
Cooling	Free air convection
Dimensions L x W x D	91 x 35 x 56.55mm
Weight	75g

## Approvals and EMC

Shock resistance	acc. to IEC 60068-2-27 (15G, 11ms, 3 Axis, 6 Faces, 3 times for each Face)
Vibration resistance	acc. to IEC 60068-2-6 (Mounting by rail: 10-500 Hz, 2G, along X, Y, Z each Axis, 60 min for each Axis)
CE	EN 55022 Class B, EN 55024, EN 61000-4-2, EN 61000-4-3, EN 61000-4-4, EN 61000-4-6, EN 61000-4-8, EN 61204-3

## Mechanical Drawings mm (inches)

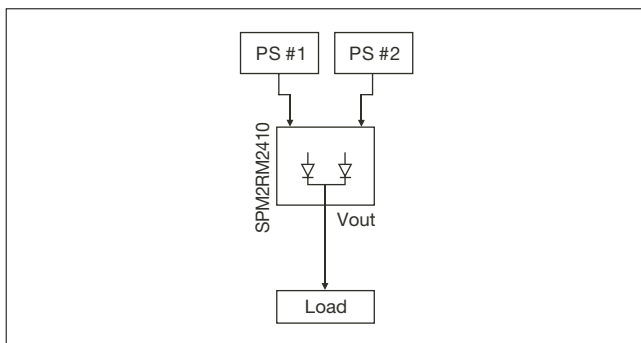


## Pin Assignment and Front Controls

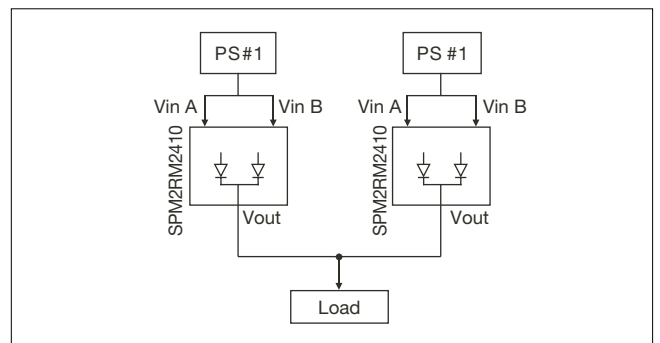
Pin No.	Designation	Description
1	Input A+	Positive Input power supply A
2	Input A+	Positive Input power supply A
3	Input B+	Positive Input power supply B
4	Input B+	Positive Input power supply B
5	Input -	Negative Input power supply
6	Input -	Negative Input power supply
7	Output +	Positive Output terminal
8	Output +	Positive Output terminal
9	Output +	Positive Output terminal
10	Output -	Negative Output terminal
11	Output -	Negative Output terminal
12	Output -	Negative Output terminal

## Typical Application Notes

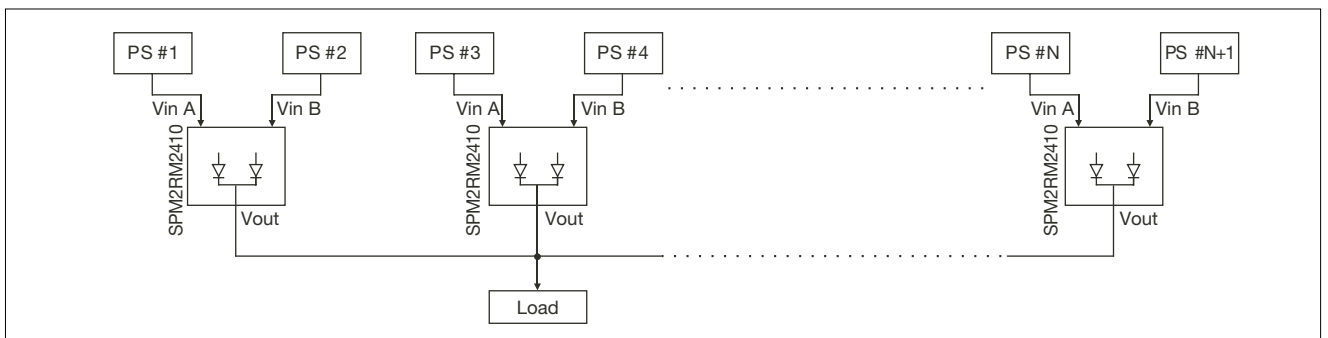
1.) 1+1 Redundancy: Using 1 more PS as the redundant unit.



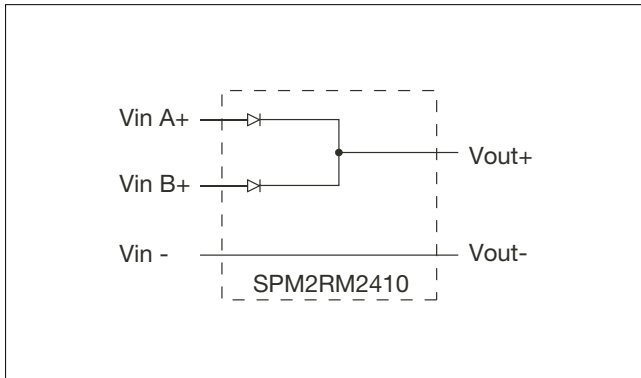
2.) Single Use: Connecting only one PS to one SPD24RM20 to reduce the stress of the diodes and hence increase the reliability.



3.) 1+N Redundancy: Using more than one PS as redundant units to increase the reliability.



## Circuit Diagram



## Installation

<b>Ventilation and cooling</b>	Normal convection All sides 25mm free space for cooling is recommended
<b>Screw terminals</b>	10-24AWG flexible or solid cable 8mm stripping recommend
<b>Max. torque for screws terminals</b>	
Input terminals	1.008Nm (9.0lb-in)
Output terminals	0.616Nm (5.5lb-in)
<b>Plug-in connectors</b>	10-24AWG flexible or solid cable 7mm stripping recommend
<b>Max. torque for plug-in terminals</b>	
Input terminals	0.784Nm (7.0lb-in)
Output terminals	0.784Nm (7.0lb-in)